



MODEL 574 - 2000 lb. CAPACITY ENGINE STAND

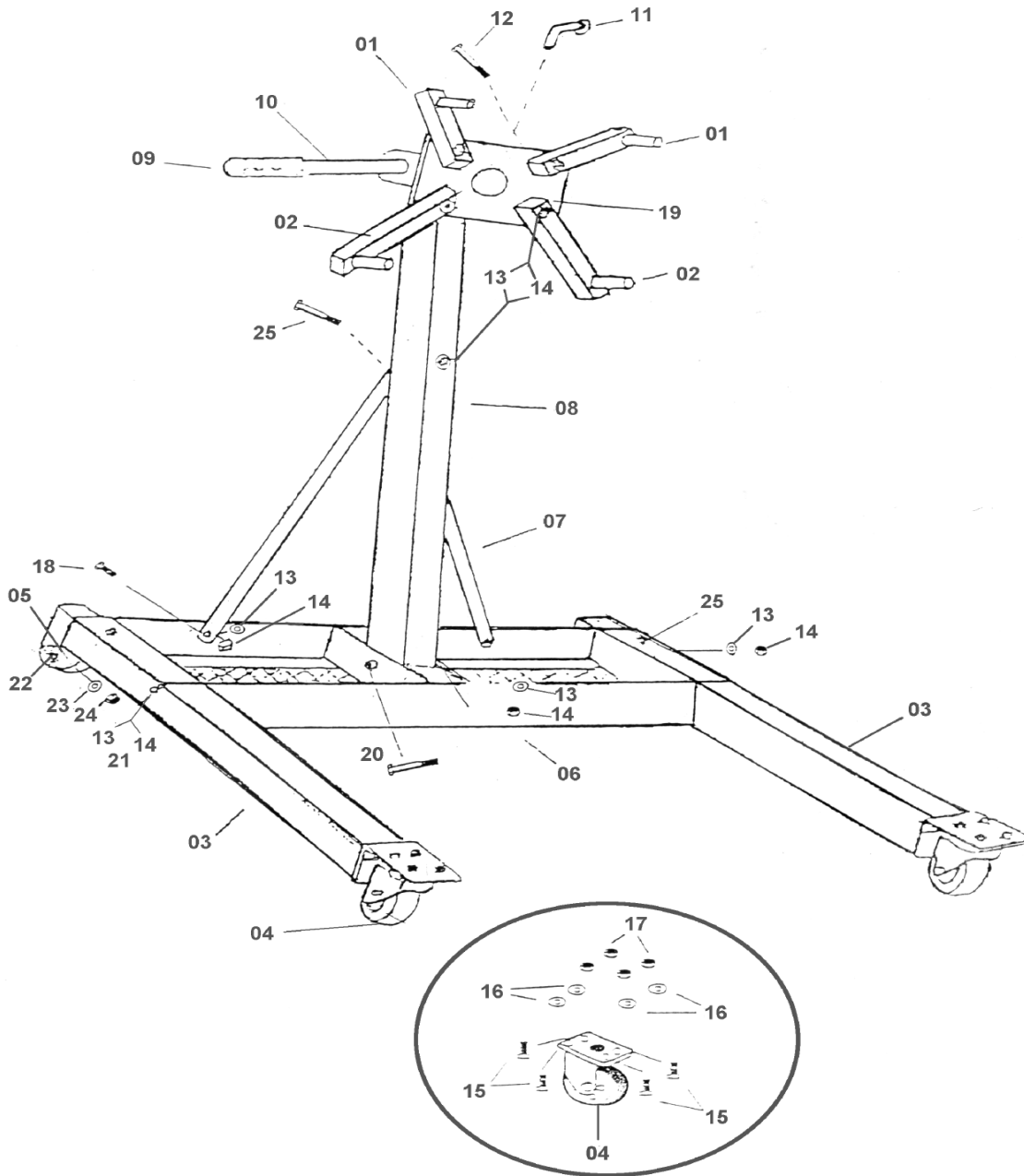
UPDATED 3/06

PART ORDER NUMBER	KIT DESCRIPTION	KIT INCLUDES	
		REF. #	DESCRIPTION
574KHK	Hardware Kit	1	Short Finger
		2	Long Finger
		11	Pin
		12	Bolt M15 x 60
		13	Washer 14
		14	Nut M14
		15	Bolt M8 x 20
		16	Washer 8
		17	Nut M8
		18	Bolt M14 x 30
		20	Bolt M14 x 95
		21	Bolt M14 x 85
		22	Bolt M12 x 75
		23	Washer 12
		24	Nut M12
25	Bolt M14 x 10		
3988k09	Front Caster	4	3-1/2" Swivel Caster
574K5	Rear Wheel Kit	5	3" Wheel
		22	Bolt M12 x 75
		23	Washer 12
		24	Nut M12
574K7	Strap	7	Strap
NOT AVAILABLE		6	Base
NOT AVAILABLE		8	Post
NOT AVAILABLE		9	Handle Grips
NOT AVAILABLE		10	Handle

*** ONLY PARTS WITH A "PART ORDER NUMBER" ARE AVAILABLE FOR SALE.**

DO NOT COPY OR DISTRIBUTE THIS MATERIAL WITHOUT PERMISSION OF AFF, INC.

MODEL 574 - 2000 lb. CAPACITY ENGINE STAND



DO NOT COPY OR DISTRIBUTE THIS MATERIAL WITHOUT PERMISSION OF AFF, INC.