



MODEL 988D - 2,200lb. FOLDABLE ENGINE CRANE

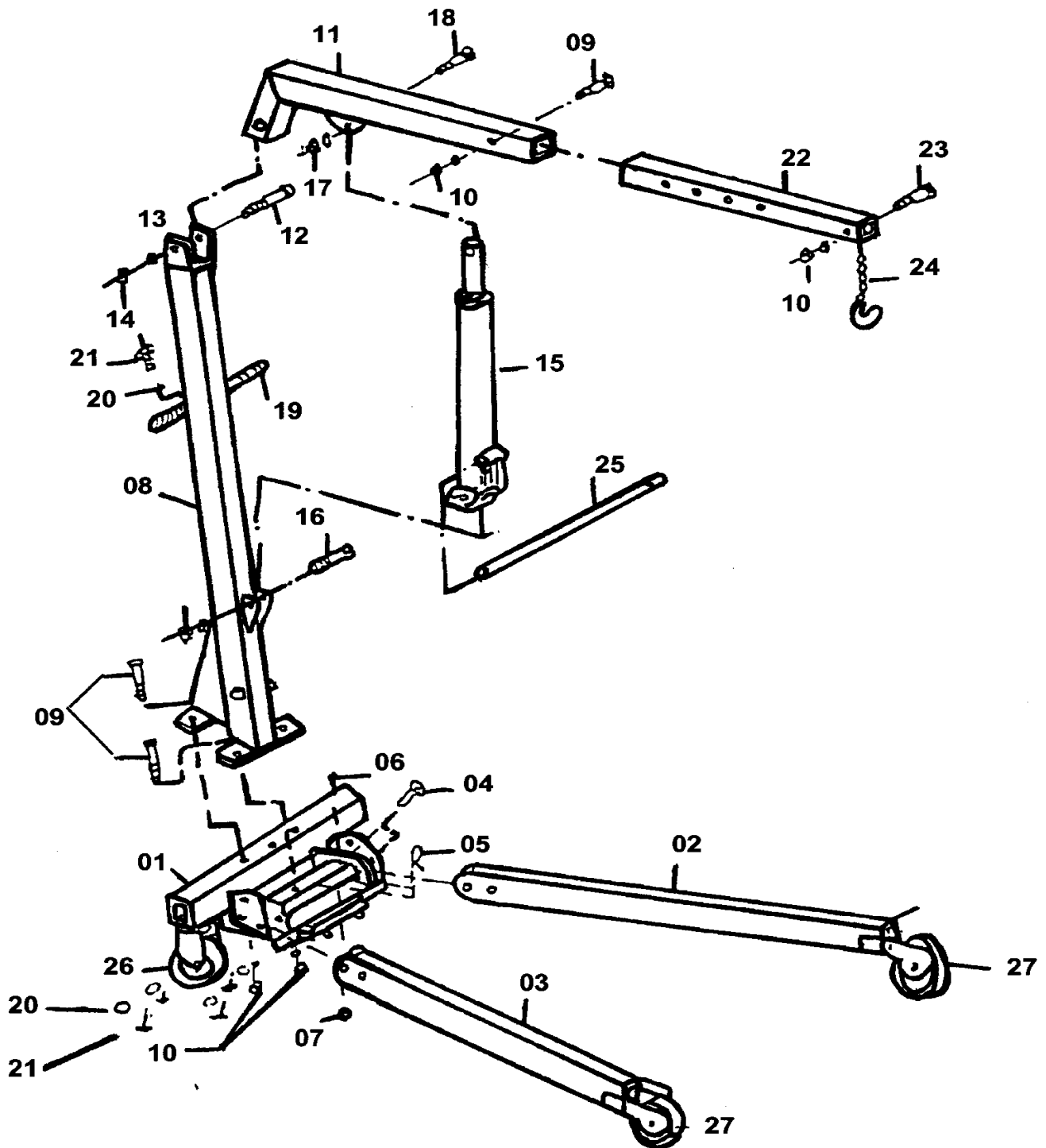
UPDATED 9-05

PART ORDER NUMBER	KIT DESCRIPTION	KIT INCLUDES	
		REF. #	DESCRIPTION
988CKHK	HARDWARE KIT	04	LOCK PIN
		05	HAIR PIN
		06	BOLT
		07	NUT
		9	BOLT
		10	NUT AND WASHER
		12	BOLT
		13	WASHER
		14	NUT
		16	BOLT
		17	NUT AND WASHER
		18	BOLT
		20	WASHER
		21	BOLT
LRC3A	LONG RAM	15	LONG RAM
988CK26	REAR CASTERS	26	REAR SWIVEL CASTER
988CK27	FRONT WHEELS	27	FRONT WHEELS
NOT AVAILABLE		01	FRAME BASE
NOT AVAILABLE		02	LEFT LEG
NOT AVAILABLE		03	RIGHT LEG
NOT AVAILABLE		08	MAIN SUPPORT POST
NOT AVAILABLE		11	BOOM
NOT AVAILABLE		19	HANDLE
NOT AVAILABLE		22	BOOM EXTENSION
NOT AVAILABLE		23	BOLT
NOT AVAILABLE		24	HOOK AND CHAIN ASSEMBLY
NOT AVAILABLE		25	JACK HANDLE

*** ONLY PARTS WITH A "ORDER PART NUMBER" ARE AVAILABLE FOR SALE.**

DO NOT COPY OR DISTRIBUTE THIS MATERIAL WITHOUT PERMISSION OF AFF, INC.

MODEL 988D - 2,200lb. FOLDABLE ENGINE CRANE



ONLY PARTS WITH A "ORDER PART NUMBER" ARE AVAILABLE FOR SALE.

DO NOT COPY OR DISTRIBUTE THIS MATERIAL WITHOUT PERMISSION OF AFF, INC.