

**PRODUCT CHANGE NOTIFICATION: PCN250109**

January 16, 2025

Hello, Valued Roll-Rite® Customer

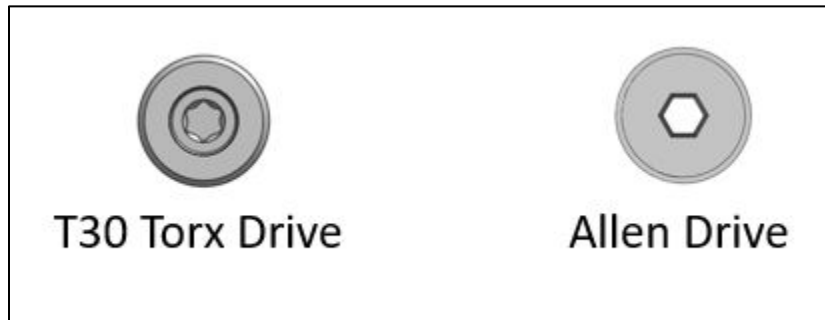
**Change Overview:**

This communication is a notice of a change to Roll-Rite fasteners that are used to attach the 30°, 45° offsets & 90° elbows. Effective December 25<sup>th</sup>, 2024, Roll-Rite will begin the process of changing the fastener that is used in all the arm offsets and 90° bow elbows. The updated fastener will require a T30 Torx bit whereas the older fastener requires an Allen wrench or Allen bit. Proper torque for the updated T30 drive fastener must be 68-75in lb. (7.6-8.4Nm)

**Reason for change:**

These changes overall improve the design and requirements, while resulting in a reliable, stronger and more durable system for today’s market requirements, while keeping Roll-Rite’s focus of Driving Safety Forward. The new component design is completely reverse compatible or interchangeable with the previous design.

Please review the images below of the updated design.



**Items effected by change:**

Name	Description
76800	Casting, Aluminum Corner - 90 Degree with Fasteners and Tether
76900	Casting, Aluminum 30 Flat Elbow
76910	Casting, 45 Flat Elbow (Each)
76915	Casting, Extreme Duty 45 Elbow for Pivot Tube



**Roll-Rite®  
Manufacturing  
Headquarters**  
850 Industrial Drive  
Gladwin, MI 48624  
+1-800-297-9905

**Pulltarps®  
Manufacturing  
Headquarters**  
1404 N. Marshall Ave  
El Cajon, 92020  
+1-619-432-3480

**Vango™  
Manufacturing  
Headquarters**  
10 Plum Street  
Verona, PA 15147  
+1-800-443-TARP

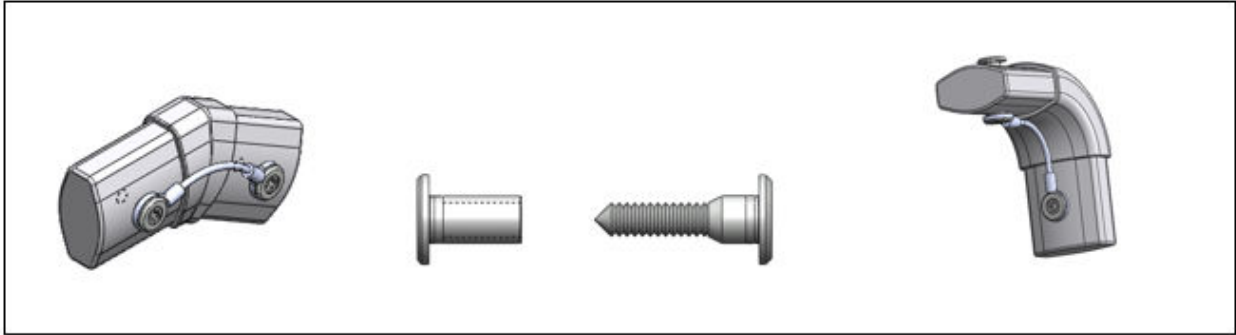
**Service Center**  
9700 East 104th Ave,  
Unit A  
Henderson, CO 80640  
+1-303-288-6390

**Service Center**  
7720 Bluff Point Dr  
Houston, TX 77086  
+1-281-925-3787

**Service Center**  
5401 Louisville St NE,  
Unit 2  
Louisville, OH 44641  
+1-234-203-2260

**Service Center**  
323 Technology Park Dr  
Torrington, CT 06790  
+1-860-496-0883

**Updated Service Kits For 90° corners and 30° & 45° offset elbows (bow tube)**



When ordering replacement fasteners for 90° corners and 30° & 45° offset elbows (bow tube), use service kit **108913**.

Name	Description
108913	Barrel Bolt Service Kit for Standard 90°, 30° & 45° Bow Tubes



**Roll-Rite®  
Manufacturing  
Headquarters**  
850 Industrial Drive  
Gladwin, MI 48624  
+1-800-297-9905

**Pulltarps®  
Manufacturing  
Headquarters**  
1404 N. Marshall Ave  
El Cajon, 92020  
+1-619-432-3480

**Vango™  
Manufacturing  
Headquarters**  
10 Plum Street  
Verona, PA 15147  
+1-800-443-TARP

**Service Center**  
9700 East 104th Ave,  
Unit A  
Henderson, CO 80640  
+1-303-288-6390

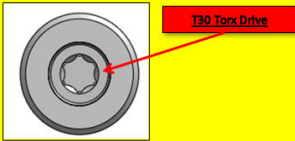
**Service Center**  
7720 Bluff Point Dr  
Houston, TX 77088  
+1-281-925-3787

**Service Center**  
5401 Louisville St NE,  
Unit 2  
Louisville, OH 44641  
+1-234-203-2260

**Service Center**  
323 Technology Park Dr  
Torrington, CT 06790  
+1-860-496-0883

**ATTENTION:**

Installation of Barrel Bolts  
Tool Required: (2) T30 Wrenches



Torque Barrel Bolts to: 68-75 in-lb. (7.6- 8.4 Nm)

**WARNING**

**This Safety Tether Must Be Installed As Shown. Failure To Do So Could Result In Severe Injury Or Death**

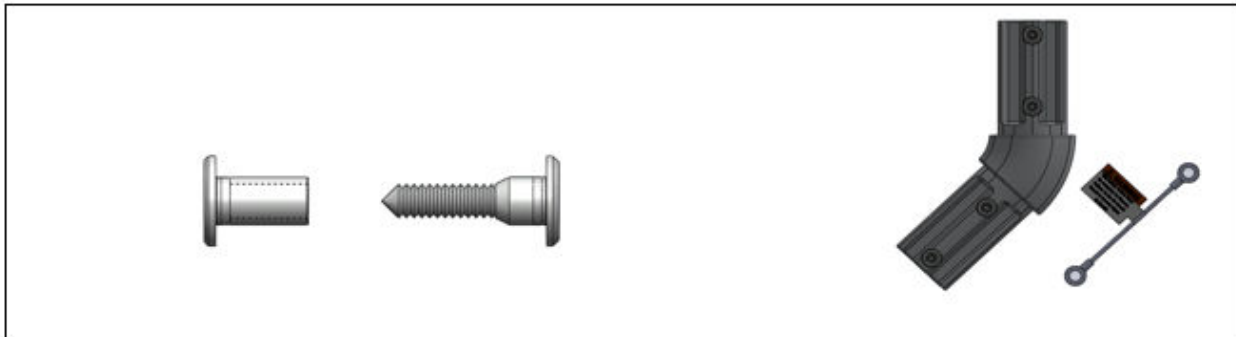


**WARNING**

**This Safety Tether Must Be Installed As Shown. Failure To Do So Could Result In Severe Injury Or Death**



**Updated Service Kits For Extreme Duty 45° offset elbows**



When ordering replacement fasteners for Extreme Duty 45° offset elbows, use service kit **108914**.

Name	Description
108914	Barrel Bolt Service Kit for Extreme Duty 45° Pivot Tubes



**Roll-Rite®**  
Manufacturing  
Headquarters  
850 Industrial Drive  
Gladwin, MI 48624  
+1-800-297-9905

**Pulltarps®**  
Manufacturing  
Headquarters  
1404 N. Marshall Ave  
El Cajon, 92020  
+1-619-432-3480

**Vango™**  
Manufacturing  
Headquarters  
10 Plum Street  
Verona, PA 15147  
+1-800-443-TARP

**Service Center**  
9700 East 104th Ave,  
Unit A  
Henderson, CO 80640  
+1-303-288-6390

**Service Center**  
7720 Bluff Point Dr  
Houston, TX 77086  
+1-281-925-3787

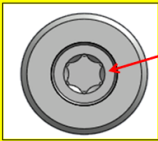
**Service Center**  
5401 Louisville St NE,  
Unit 2  
Louisville, OH 44641  
+1-234-203-2260

**Service Center**  
323 Technology Park Dr  
Torrington, CT 06790  
+1-860-496-0883

**ATTENTION:**

Installation of Barrel Bolts

Tool Required: (2) T30 Wrenches




T30 Torx Drive

Torque Barrel Bolts to: 68-75 in-lb. (7.6- 8.4 Nm)

**WARNING**

This Safety Tether Must Be Installed As Shown. Failure To Do So Could Result In Severe Injury Or Death



**WARNING**

This Safety Tether Must Be Installed As Shown. Failure To Do So Could Result In Severe Injury Or Death



**Response:** No response to this notification is required. Requests for additional information should be directed to your Roll-Rite/Safe Fleet Regional Sales Manager or our Inside Sales Representatives by calling 800-297-9905.

Sincerely,

Jeremy C. Tennant  
Product Manager



**Roll-Rite®**  
Manufacturing  
Headquarters  
850 Industrial Drive  
Gladwin, MI 48624  
+1-800-297-9905

**Pulltarps®**  
Manufacturing  
Headquarters  
1404 N. Marshall Ave  
El Cajon, 92020  
+1-619-432-3480

**Vango™**  
Manufacturing  
Headquarters  
10 Plum Street  
Verona, PA 15147  
+1-800-443-TARP

**Service Center**  
9700 East 104th Ave,  
Unit A  
Henderson, CO 80640  
+1-303-288-6390

**Service Center**  
7720 Bluff Point Dr  
Houston, TX 77086  
+1-281-925-3787

**Service Center**  
5401 Louisville St NE,  
Unit 2  
Louisville, OH 44641  
+1-234-203-2260

**Service Center**  
323 Technology Park Dr  
Torrington, CT 06790  
+1-860-496-0883