

4

3

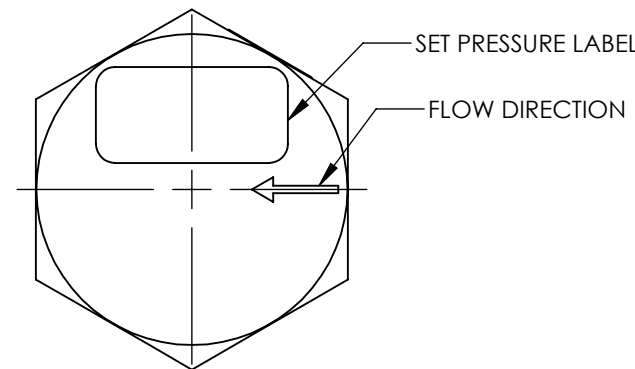
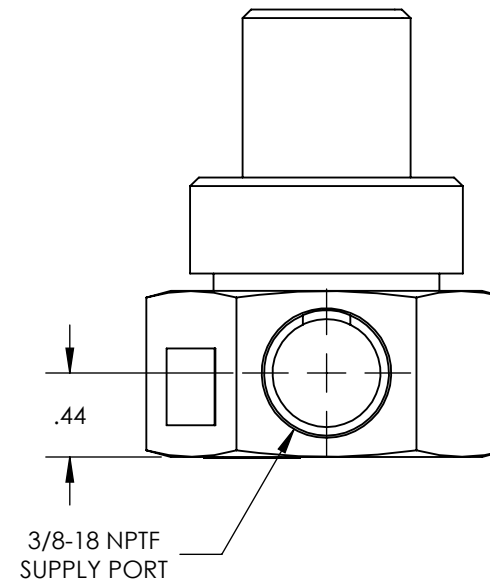
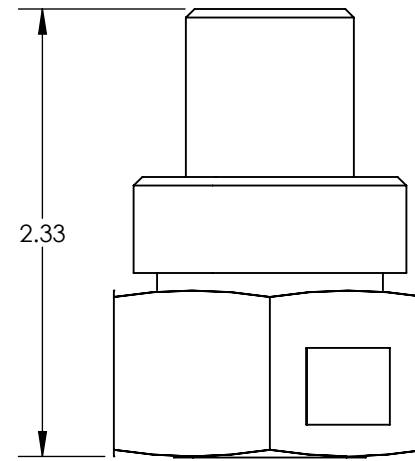
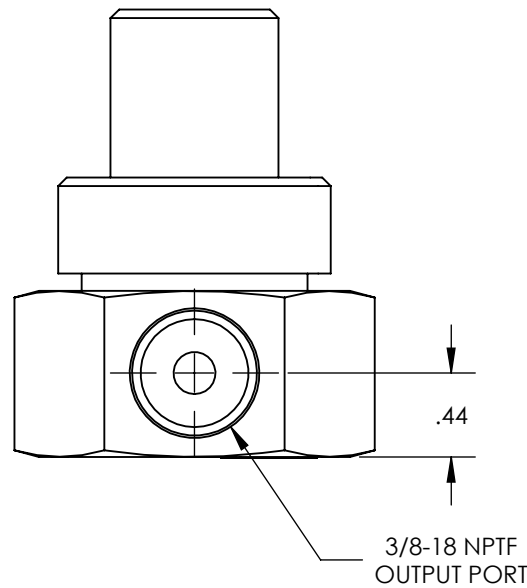
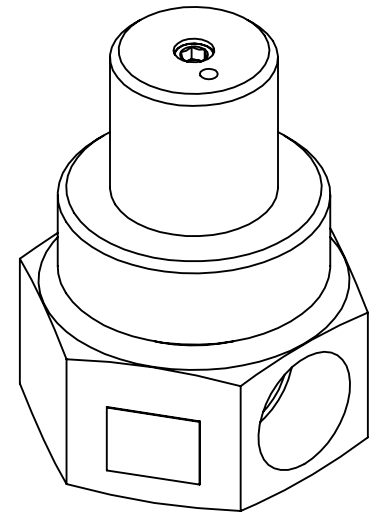
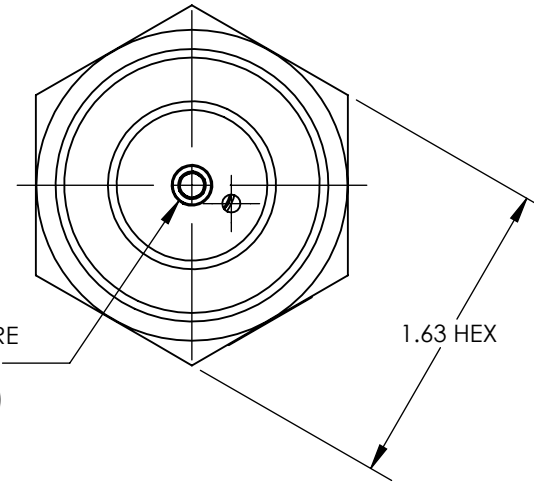
2

1

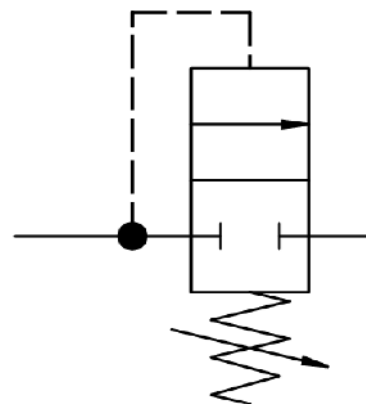
REV	DATE	EC #	ZONE	DESCRIPTION	DRAWN	CKD
A	2020-09-23			ORIGINATED	NR	JMA

NOTES:

1. APPLICABLE STANDARDS/SPECIFICATIONS:
ASME Y14.5M-1994, DIMENSIONING AND TOLERANCING
ASME Y14.38-1999, ABBREVIATIONS
2. COMPONENT OR ITEM TO BE COMPLIANT WITH THE MOST CURRENT REVISION OF THE RoHS / Wee DIRECTIVE FOR THE REDUCTION OF HAZARDOUS SUBSTANCES AND MATERIALS.
3. SET PRESSURE OF 70 PSI.
4. SET PRESSURE IS THE PRESSURE AT WHICH THE VALVE STOPS FLOWING. FULL FLOW OCCURS AT 10 PSI ABOVE SET PRESSURE.
5. ALL DIMENSIONS ARE FOR REFERENCE ONLY.
6. ITEM INDIVIDUALLY SEALED IN LABELED BAG.
7. ITEM IS RETAIL PACKED PP3-70.

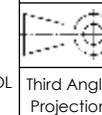


FUNCTION	ONE WAY RELIEF
MECHANICAL MATERIALS	ALUMINUM BODY
SEALS	LOW TEMP. NITRILE
FASTENERS	N/A
MTG STYLE	IN-LINE
ASSY LUBRICATION	HEAVY TRANSPORT SILICONE
FLOW	1.0 Cv
TEMP	-40 TO 180°F
FILTRATION	40 MICRON REQUIRED
SYSTEM LUBRICATION REQ'D	N/A
PRESSURE RANGE	MIN: 20 psi MAX: 150 psi PILOT: N/A
LEAK	N/A
ELECTRICAL VOLTAGE	N/A
CURRENT	N/A



CUSTOMER PRINT

NOTE: PART MUST BE CLEAN AND BURR FREE
MFG TOLERANCES UNLESS OTHERWISE NOTED:
ALL UNITS ARE INCHES
(2) DECIMAL PLACES: ±.01
(3) DECIMAL PLACES: ±.005
ANGLES: ±.5°
BREAK ALL EDGES .005/.015 X 45°
MACHINED SURFACES TO BE 63 RMS
CRITICAL CHARACTERISTIC - CONTROL
PLAN REQUIRED



CONFIDENTIAL: THIS DRAWING OR ANY PART THEREOF IS PROPRIETARY AND MAY NOT BE REPRODUCED OR COPIED WITHOUT WRITTEN CONSENT OF AIRMAN PRODUCTS

DRAWN BY	NR	DESCRIPTION
DRAWN DATE	2020-09-23	VALVE, PRESS. PROT, .38 NPT
DRAWING SIZE	B	
MATERIAL	SEE NOTES	PART NUMBER
SCALE	1:1	B2400-B81
SHEET #	1 OF 1	

4

3

2

1