

4

3

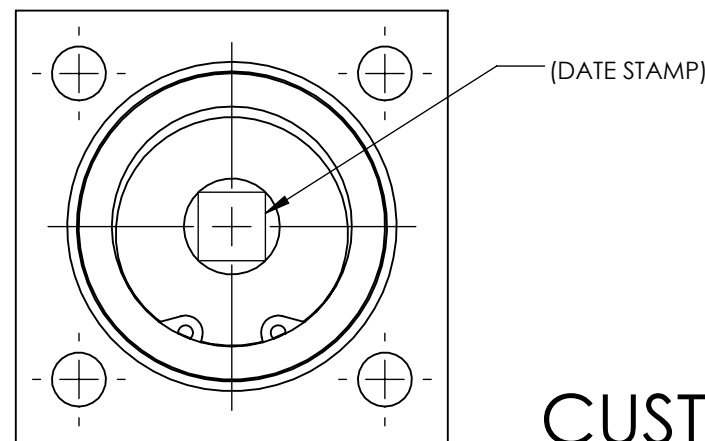
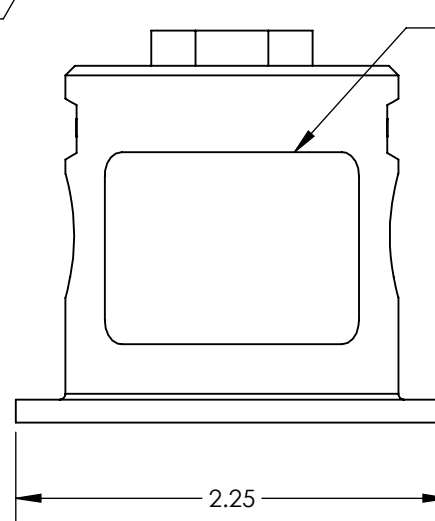
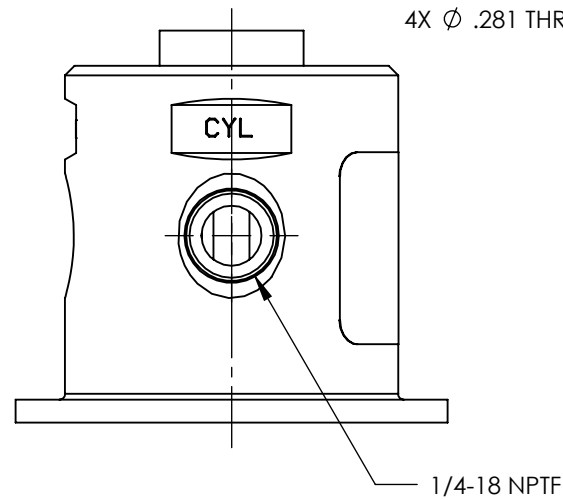
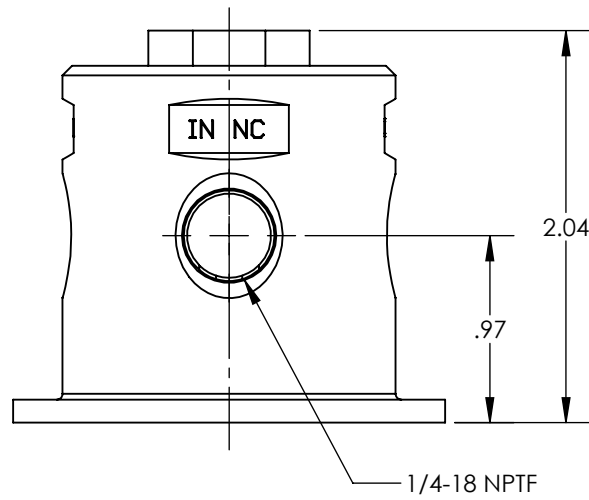
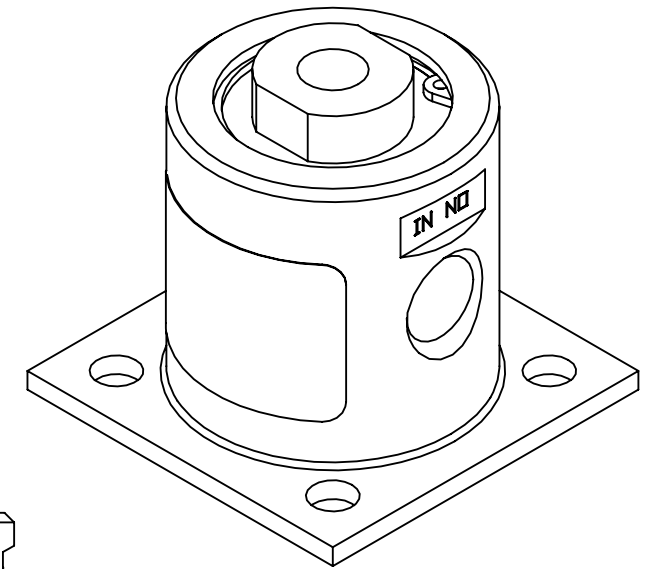
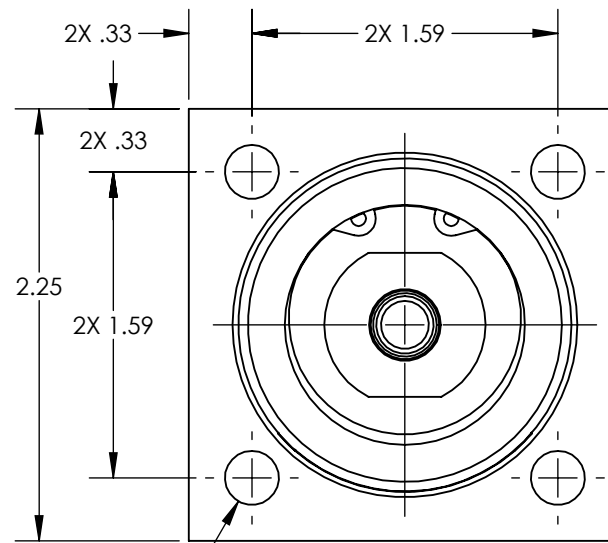
2

1

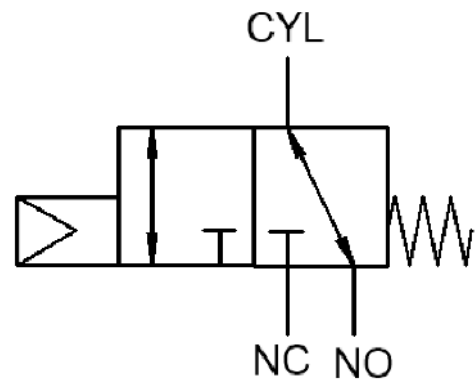
NOTES:

- 1. APPLICABLE STANDARDS/SPECIFICATIONS:
ASME Y14.5M-1994, DIMENSIONING AND TOLERANCING
ASME Y14.38-1999, ABBREVIATIONS
- 2. COMPONENT OR ITEM TO BE COMPLIANT WITH THE MOST CURRENT REVISION OF THE RoHS / Wee DIRECTIVE FOR THE REDUCTION OF HAZARDOUS SUBSTANCES AND MATERIALS.
- 3. ALL DIMENSIONS ARE FOR REFERENCE ONLY.
- 4. ITEM INDIVIDUALLY SEALED IN LABELED BAG
- 5. ITEM IS RETAIL PACKED D2510305

REV	DATE	EC #	ZONE	DESCRIPTION	DRAWN	CKD
A	2020-09-25			ORIGINATED	NR	JMA

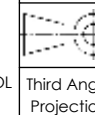


FUNCTION	3/2 AIR PILOT DIAPHRAGM VALVE
MECHANICAL MATERIALS	ANDZ ALUM., BRASS, SS
SEALS	LOW TEMP NITRILE, LOW COMP. SET POLYURETHANE
FASTENERS	N/A
MTG STYLE	FLANGE
ASSY LUBRICATION	N/A
FLOW	2.0 Cv
TEMP	-40 TO 180°F
FILTRATION	40 MICRON REQUIRED
SYSTEM LUBRICATION REQ'D	N/A
PRESSURE RANGE	MIN: 0 psi MAX: 150 psi PILOT:
LEAK	N/A
ELECTRICAL VOLTAGE	N/A
CURRENT	N/A



CUSTOMER PRINT

NOTE: PART MUST BE CLEAN AND BURR FREE
MFG TOLERANCES UNLESS OTHERWISE NOTED:
ALL UNITS ARE INCHES
(2) DECIMAL PLACES: ±.01
(3) DECIMAL PLACES: ±.005
ANGLES: ±.5°
BREAK ALL EDGES .005/.015 X 45°
MACHINED SURFACES TO BE 63 RMS
CRITICAL CHARACTERISTIC - CONTROL
PLAN REQUIRED



CONFIDENTIAL: THIS DRAWING OR ANY PART THEREOF IS PROPRIETARY AND MAY NOT BE REPRODUCED OR COPIED WITHOUT WRITTEN CONSENT OF AIRMAN PRODUCTS

DRAWN BY	NR	DESCRIPTION
DRAWN DATE	2020-09-25	DIAPHRAGM VALVE ASSY
DRAWING SIZE	B	PART NUMBER
MATERIAL	SEE NOTES	B2400-B84
SCALE	1:1	
SHEET #	1 OF 1	

4

3

2

1

B

B

A

A