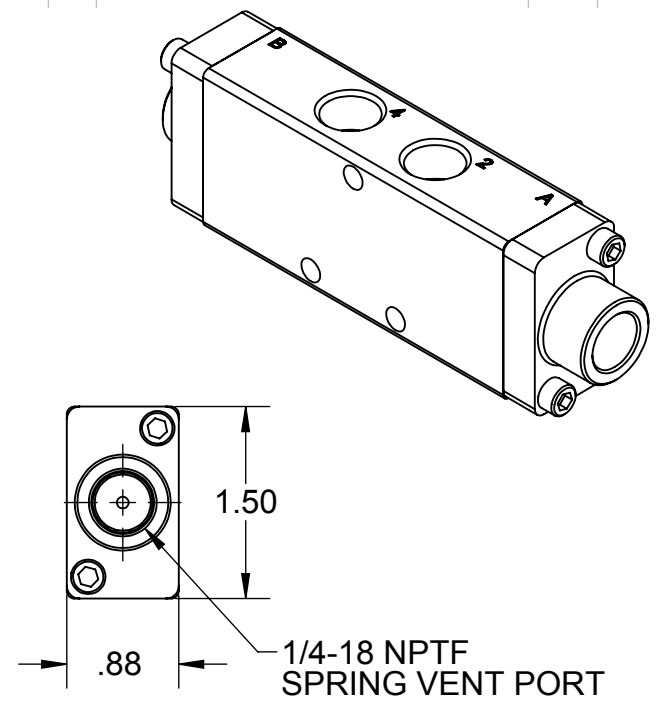
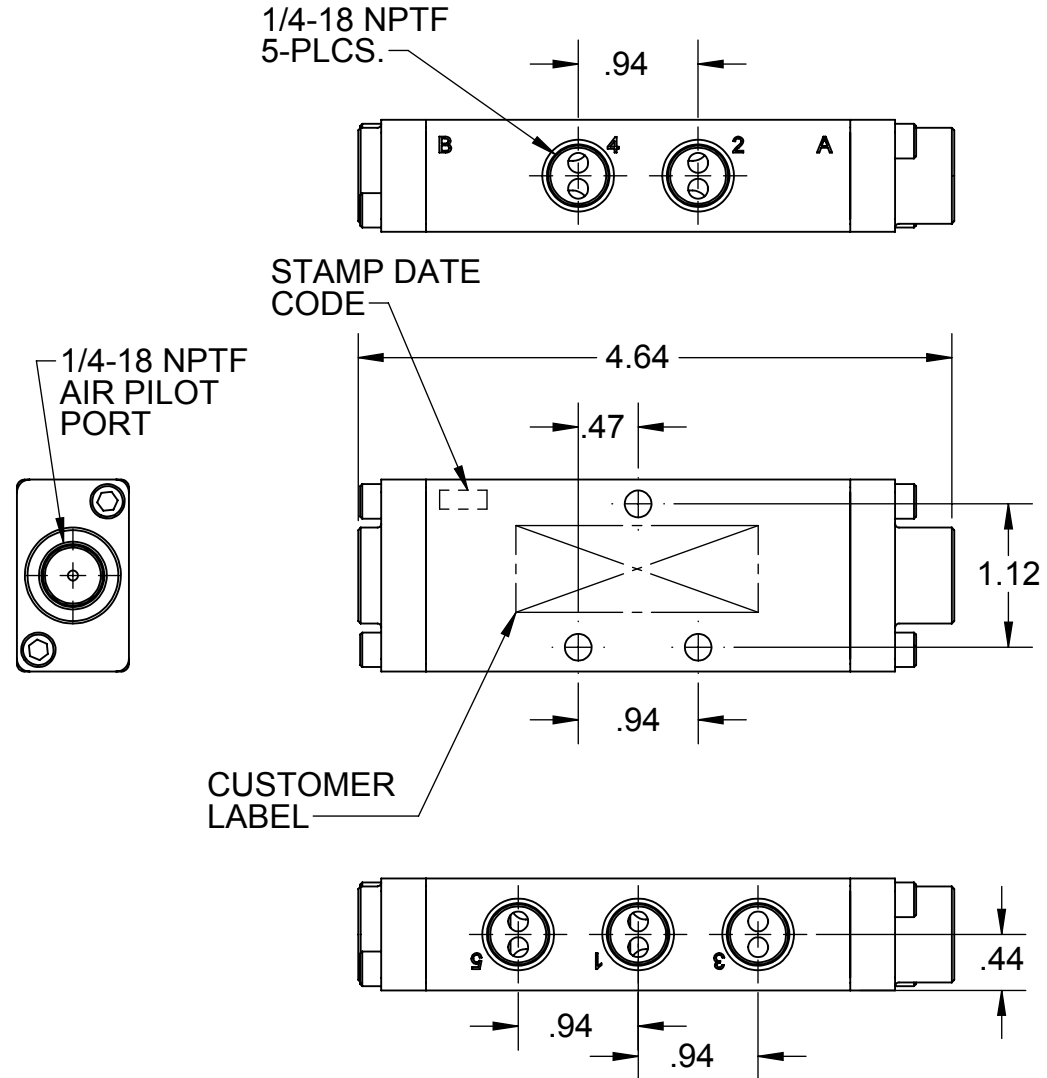
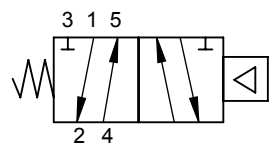


REVISIONS		DATE	APPROVED
ZONE	REV.	DESCRIPTION	



SPECIFICATIONS:

1. VALVE IS BLACK ANODIZED.
2. TEMP: -40°F TO +180°F
3. FASTENERS: STAINLESS
4. MAX PRESSURE: 200 PSI
5. **WATSON & CHALIN PN: 10376-02**



VENDOR CONTROLLED DOCUMENT

VENDOR PART NO.: SP-5122

WC PART NO.: 10376-02

DESCRIPTION: 5/2 SNGL AIR PILOT VALVE
1/4 NPTF PORTS

ENGINEER: BKG CN: - REV: -

THE INFORMATION CONTAINED IN THIS DOCUMENT IS THE SOLE PROPERTY OF THE VENDOR. ANY DISSEMINATION OR DISCLOSURE OF ANY PART OR COMPONENT PART SHOWN WITHOUT THE EXPRESS WRITTEN CONSENT OF THE VENDOR IS PROHIBITED.

PROPRIETARY AND CONFIDENTIAL

THE INFORMATION CONTAINED IN THIS DRAWING IS THE SOLE PROPERTY OF ALKON CORPORATION. ANY REPRODUCTION IN PART OR AS A WHOLE WITHOUT THE WRITTEN PERMISSION OF ALKON CORPORATION IS PROHIBITED.

DIMENSIONS ARE IN INCHES	
TOLERANCES:	
FRACTIONAL ±.010	
ANGULAR: MACH ±1/2°BEND ±	
TWO PLACE DECIMAL ±.010	
THREE PLACE DECIMAL ±.005	
MATERIAL	--
RM. No.:	--
NEXT ASSY	USED ON
APPLICATION	DO NOT SCALE DRAWING

	NAME	DATE
DRAWN	M.Radloff	07/23/18
CHECKED	--	--
ENG APPR.		
MFG APPR.		
Q.A.		
FINISH		

ALKON CORPORATION
FREMONT, OHIO

5/2 SINGLE AIR PILOT VALVE, SPRING RETURN W/ SPRING VENT CAP, 1/4" NPTF PORTS

SIZE **A** DWG. NO. **SP-5122** REV. **A**

SCALE:1:2 WEIGHT: - SHEET 1 OF 1