

4

3

2

1

PART NUMBER	CYLINDER STROKE	DIM "A"	DIM "B"	DIM "C"
TR4.00 X 14	14" STROKE	22.73	17.63	24.90
TR4.00 X 20.00	20" STROKE	28.73	23.63	30.90
TR4.00 X 24.00	24" STROKE	32.73	27.63	34.90
TR4.00 X 28.00	28" STROKE	36.73	31.63	38.90
TR4.00 X 29.00	29" STROKE	37.73	32.63	39.90
TR4.00 X 30.00	30" STROKE	38.73	33.63	40.90

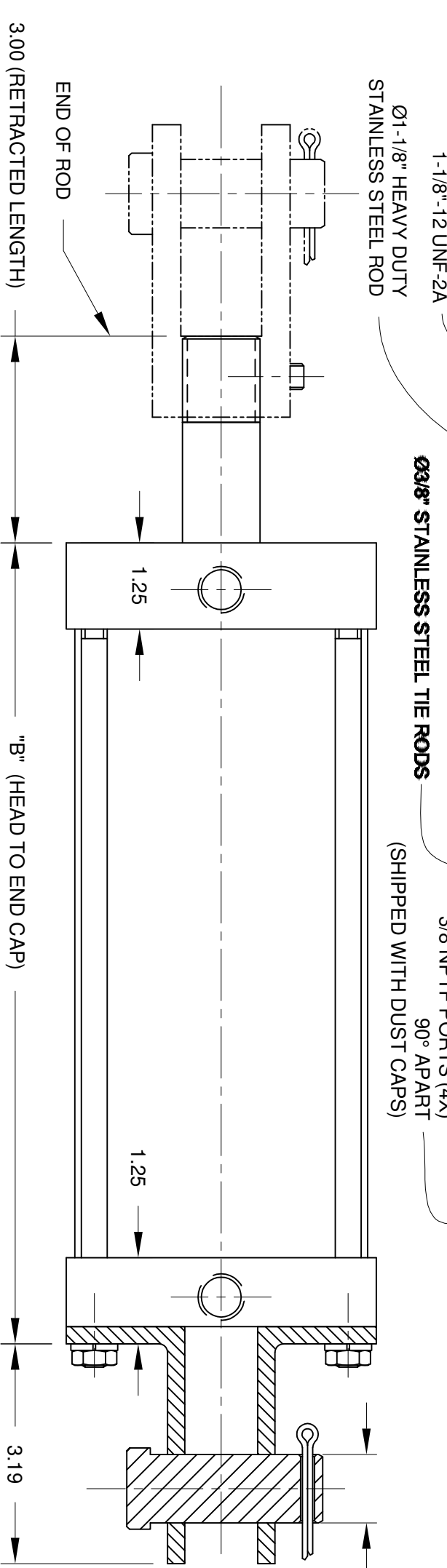
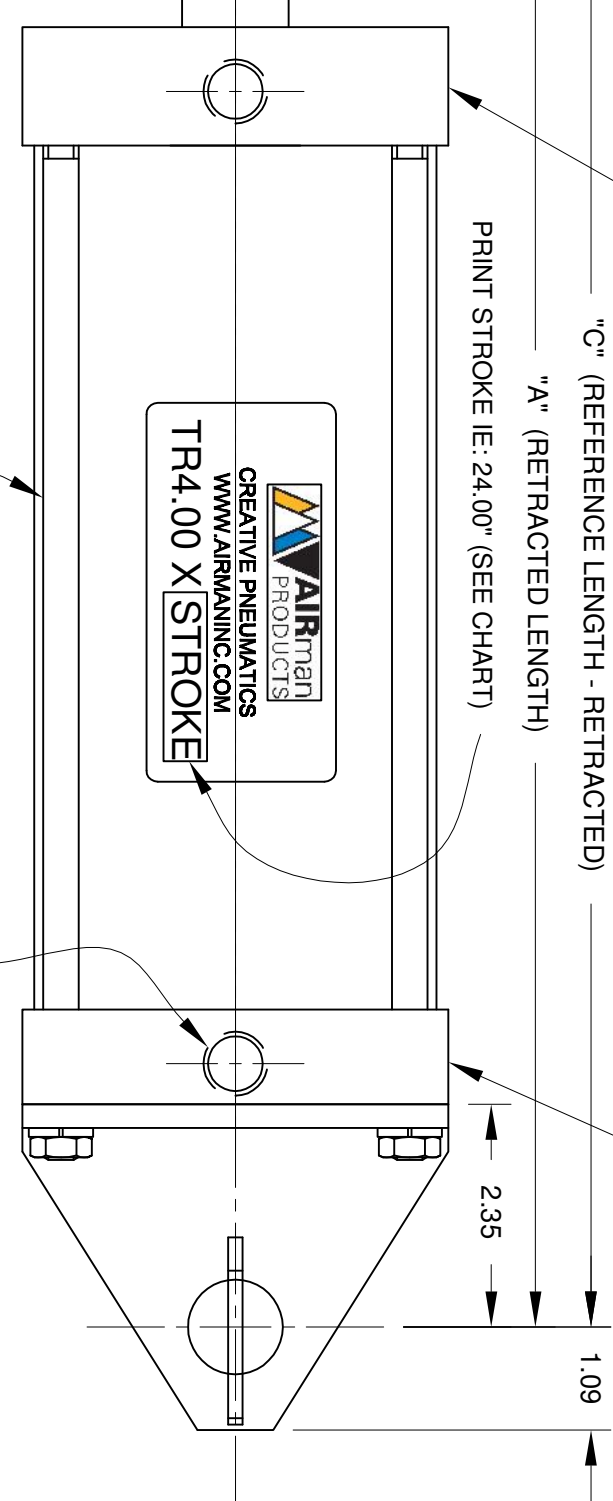
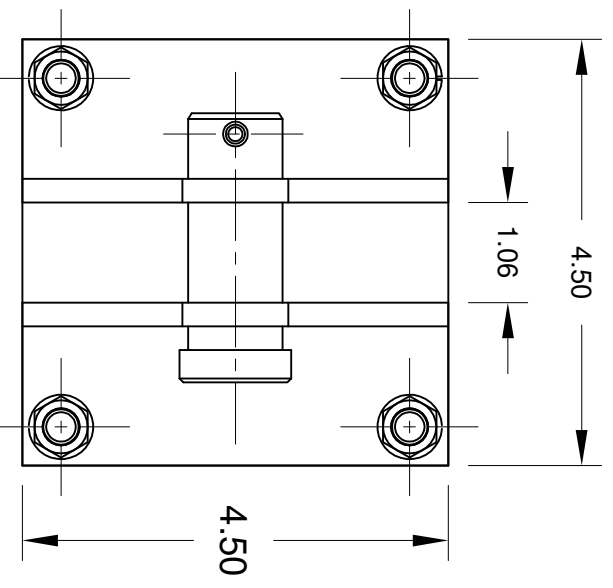
NOTE: ADD STROKE TO DIM'S A AND C FOR EXTENDED LENGTH

(HEAVY DUTY) LIGHTWEIGHT ALUMINUM
END CAP WITH CLEVIS BRACKETS
LOW TEMPERATURE NITRILE SEALS.

(HEAVY DUTY) LIGHTWEIGHT ALUMINUM
HEAD CAP WITH OIL IMPREGNATED BRONZE ROD BEARING,
NITRILE ROD WIPER AND LOW TEMPERATURE NITRILE SEALS.

2.07
REFERENCE

3.24
REFERENCE



- NOTES:
- 1) 3.50" BORE X (SEE CHART) STROKE CYLINDER
 - 2) HARD COAT ANODIZED ALUMINUM TUBE
 - 3) LIGHTWEIGHT ALUMINUM PISTON W/ UHMW WEAR BAND
 - 4) -65°F NITRILE SEALS
 - 5) -75°F SILICONE GREASE
 - 6) COMPONENTS or ITEM TO BE COMPLIANT WITH THE MOST CURRENT REVISION OF THE ROHS / REACH & Wee DIRECTIVE FOR THE REDUCTION OF HAZARDOUS SUBSTANCES AND MATERIALS.

Ø1" CLEVIS PIN
AND COTTER PIN
INCLUDED WITH CYLINDER

ITEM NO.	AMI P/N	DESCRIPTION	QTY
1	1200-133	LABEL 4" X 2" THERMAL - PRINT AS SHOWN (BULK NON-INVENTORY)	1

NOTE: PART MUST BE CLEAN AND BURR FREE
MFG TOLERANCES UNLESS OTHERWISE NOTED:
ALL UNITS ARE INCHES
(2) DECIMAL PLACES: ±.01
(3) DECIMAL PLACES: ±.005
ANGLES: 45°
BREAK ALL EDGES .005/.015 X 45°
MACHINED SURFACES TO BE 63 RMS
CRITICAL CHARACTERISTIC - CONTROL
PLAN REQUIRED

CONFIDENTIAL: THIS DRAWING OR ANY PART THEREOF IS PROPRIETARY AND MAY NOT BE REPRODUCED OR COPIED WITHOUT WRITTEN CONSENT OF AIRMAN PRODUCTS

DRAWN BY	MWH	DESCRIPTION	4.00 BORE X (STROKE) CYLINDER
DATE DRAWN	05/22/2017	CHECKED BY	CD
CHECKED BY	CD	DATE CHECKED	05/22/2017
DRAWING SIZE	B	PART NUMBER	TR4.00 X STROKE
MATERIAL	SEE NOTES	SCALE	1:2
SHEET #	1 OF 1		

REV	DATE	EON #	ZONE	DESCRIPTION	BY	CHKD
A	MAY 22 2017	1909	N/A	INITIAL RELEASE	MWH	CD