

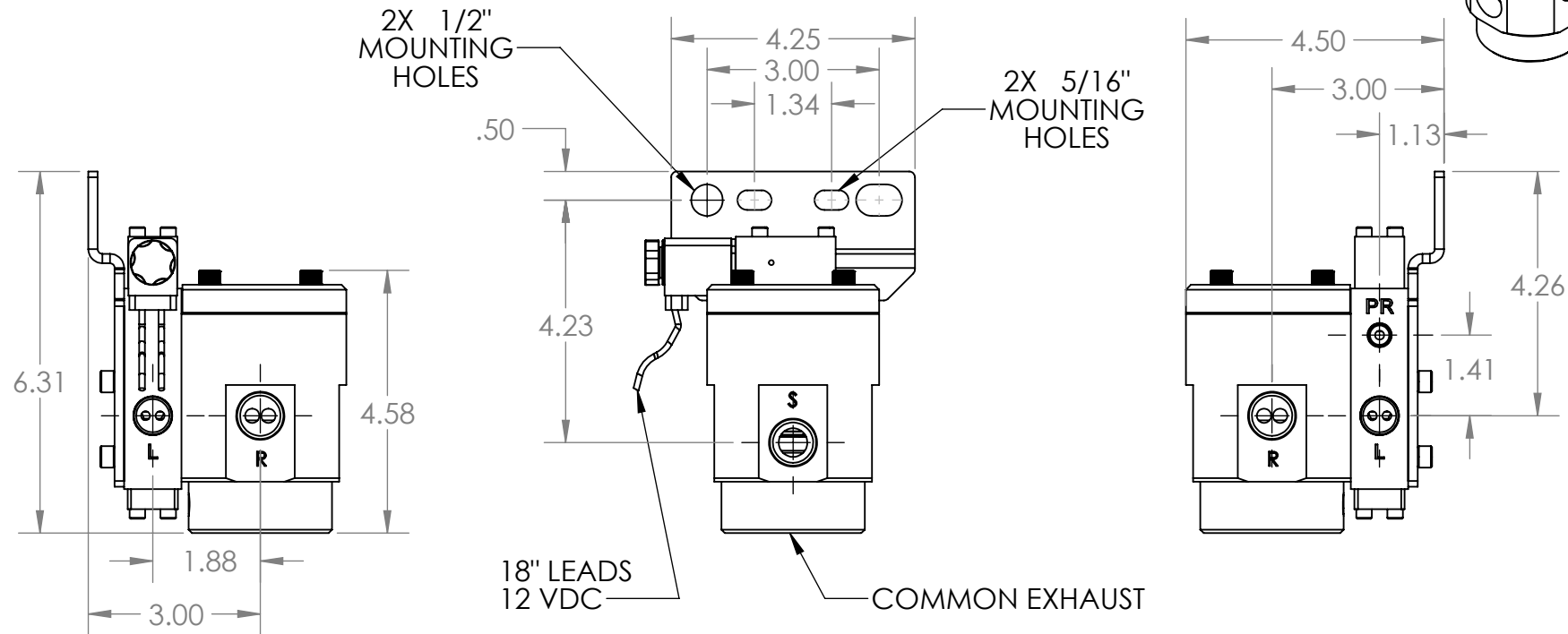
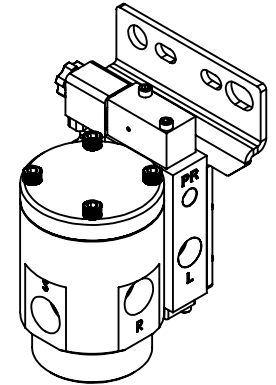
L = LIFT (3/8" NPT) 2-PLACES
(TO LIFT BAGS)

PR = RIDE PILOT SUPPLY (1/8" NPT)
(FROM HEIGHT CONTROL OR REGULATED AIR)

R = RIDE (1/2" NPT) 2-PLACES
(TO RIDE BAGS)

S = SUPPLY / TANK (1/2" NPT)
(FROM TANK)

REVISIONS			
REV.	DESCRIPTION	DATE	BY
1	INITIAL RELEASE	11/20/2024	JDH



LLV-8310

HI-FLOW SERIES LIFT AXLE CONTROL VALVE,
12V SOLENOID CONTROL, NORMALLY DOWN
(ENERGIZE TO LIFT AXLE)

COMMON QUICK EXHAUST

<p>PROPRIETARY AND CONFIDENTIAL</p> <p>THE INFORMATION CONTAINED IN THIS DRAWING IS THE SOLE PROPERTY OF ALKON CORPORATION. ANY REPRODUCTION IN PART OR AS A WHOLE WITHOUT THE WRITTEN PERMISSION OF ALKON CORPORATION IS PROHIBITED.</p>	<p>UNLESS OTHERWISE SPECIFIED:</p> <p>DIMENSIONS ARE IN INCHES</p> <p>TOLERANCES:</p> <p>FRACTIONAL: ±1/32</p> <p>ANGULAR: ±1°</p> <p>TWO PLACE DECIMAL: ±.030</p> <p>THREE PLACE DECIMAL: ±.010</p> <p>SURFACE FINISH: 125 RMS</p> <p>BREAK ALL SHARP EDGES</p> <p>DIMENSIONS APPLY AFTER FINISH</p>		<p>NAME</p> <p>J. HOUTZ</p>	<p>DATE</p> <p>11/20/2024</p>	<p>ALKON CORPORATION</p> <p>LIGHTNING LIFT VALVE NORMALLY DOWN 12 VDC OPERATION</p>	
	<p>ANY REMAINING UNDEFINED FEATURES OR DETAILS SHALL FOLLOW THE ASME 14.5-2018 STANDARD.</p>	<p>DO NOT SCALE DRAWING</p>	<p>SIZE</p> <p>A</p>	<p>DWG. NO.</p> <p>LLV-8310</p>		<p>SCALE: 1:4</p>