

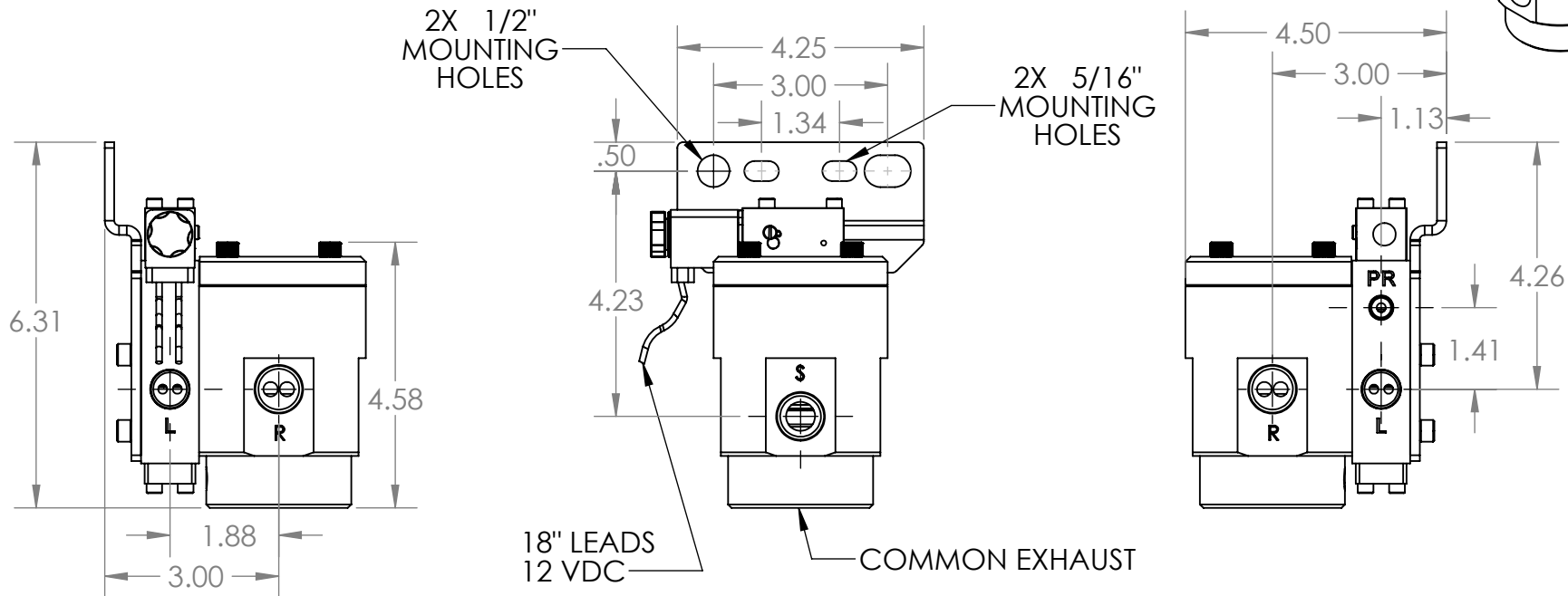
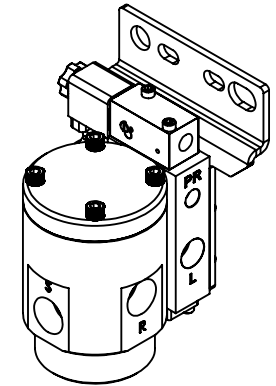
L = LIFT (3/8" NPT) 2-PLACES
(TO LIFT BAGS)

PR = RIDE PILOT SUPPLY (1/8" NPT)
(FROM HEIGHT CONTROL OR REGULATED AIR)

R = RIDE (1/2" NPT) 2-PLACES
(TO RIDE BAGS)

S = SUPPLY / TANK (1/2" NPT)
(FROM TANK)


REVISIONS			
REV.	DESCRIPTION	DATE	BY
1	INITIAL RELEASE	11/20/2024	JDH



LLV-8410

HI-FLOW SERIES LIFT AXLE CONTROL VALVE,
12V SOLENOID CONTROL, NORMALLY UP
(ENERGIZE TO LOWER AXLE)

COMMON QUICK EXHAUST

<p>PROPRIETARY AND CONFIDENTIAL</p> <p>THE INFORMATION CONTAINED IN THIS DRAWING IS THE SOLE PROPERTY OF ALKON CORPORATION. ANY REPRODUCTION IN PART OR AS A WHOLE WITHOUT THE WRITTEN PERMISSION OF ALKON CORPORATION IS PROHIBITED.</p> <p>ANY REMAINING UNDEFINED FEATURES OR DETAILS SHALL FOLLOW THE ASME 14.5-2018 STANDARD.</p>	<p>UNLESS OTHERWISE SPECIFIED:</p> <p>DIMENSIONS ARE IN INCHES</p> <p>TOLERANCES:</p> <p>FRACTIONAL: ±1/32</p> <p>ANGULAR: ±1°</p> <p>TWO PLACE DECIMAL: ±.030</p> <p>THREE PLACE DECIMAL: ±.010</p> <p>SURFACE FINISH: 125 RMS</p> <p>BREAK ALL SHARP EDGES</p> <p>DIMENSIONS APPLY AFTER FINISH</p>	NAME	DATE	 <p>ALKON CORPORATION</p> <p>LIGHTNING LIFT VALVE</p> <p>NORMALLY UP</p> <p>12 VDC</p>	
		DRAWN	J. HOUTZ		11/20/2024
		MATERIAL:			
		FINISH / COATINGS:			
DO NOT SCALE DRAWING		SIZE	DWG. NO.	LLV-8410	
		SCALE:1:4	WEIGHT:	5.20	
				SHEET 1 OF 1	