

**LC Auxiliary Lift Axle Control Kits**

**SUBJECT:** New Secondary Valve Assembly


**LIT No:** TB-H857

**DATE:** MARCH 2021

**REVISION:** A

**OVERVIEW**

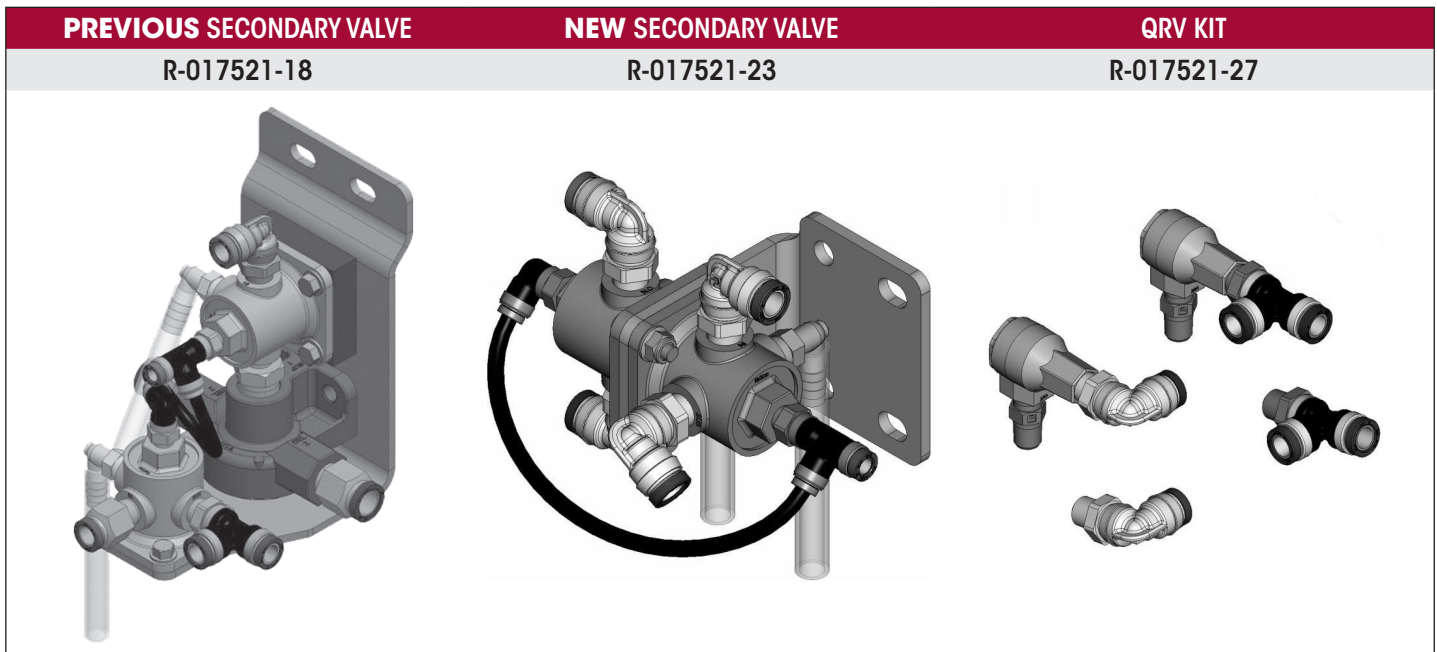
**Hendrickson Specialty Products – Auxiliary Axle** announces a change to our **LC Air Control Kits**. The secondary valve assembly has been redesigned to be more compact, resulting in easier installation. The most obvious difference is the integral Quick Release Valve has been replaced by two individual Quick Release Valves (QRVs) that must be mounted to the ride bags. The LC Air Control Kits will now include airline fittings for the ride and lift bags as well. New LC Air Control Kit orders scheduled to ship on or after **June 01, 2021** will be to the new revision.

If you installed a  pre-plumbed suspension or pre-plumb kit, then the two individual QRVs would already be present. Coming later this year, all pre-plumb suspensions will include the new LC secondary valve assembly pre-installed. A future announcement will provide further details.

The **LC Air Control Kits** will now include airline fittings for the ride and lift bags. Owner’s Manual **OM-H817 REV C** has been updated to reflect the changes and can be found at <https://www.hendrickson-intl.com/PartsandService/Auxiliary-Literature/#Auxiliary-Air-Kits>. The manual includes plumbing diagrams.

**AFTERMARKET**

The new secondary assembly with the **QRV Kit** is retro compatible with your current **LC Air Control System** with the addition of the ride bag mounted **QRV** (R-017521-27).



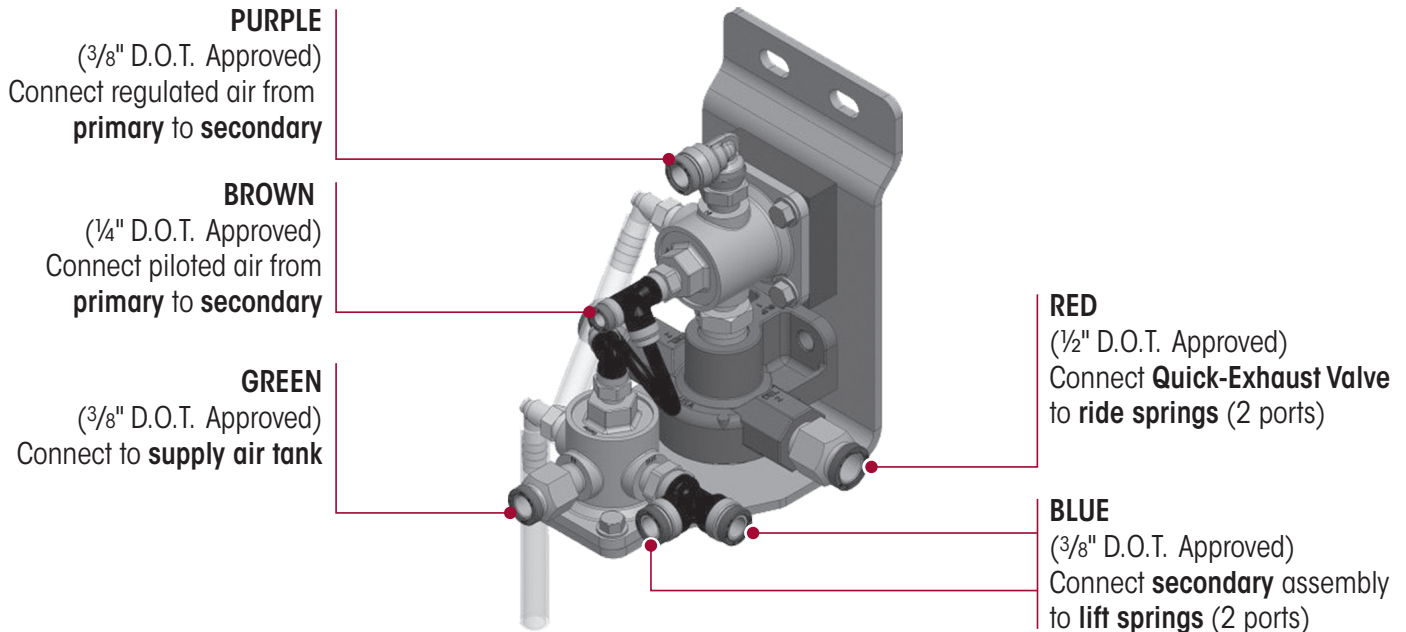
As always, Hendrickson is committed to providing world-class products and exceptional customer service. If you have any questions or concerns, please contact Hendrickson:

Lift Axle Customer Service: [liftaxle@hendrickson-intl.com](mailto:liftaxle@hendrickson-intl.com)

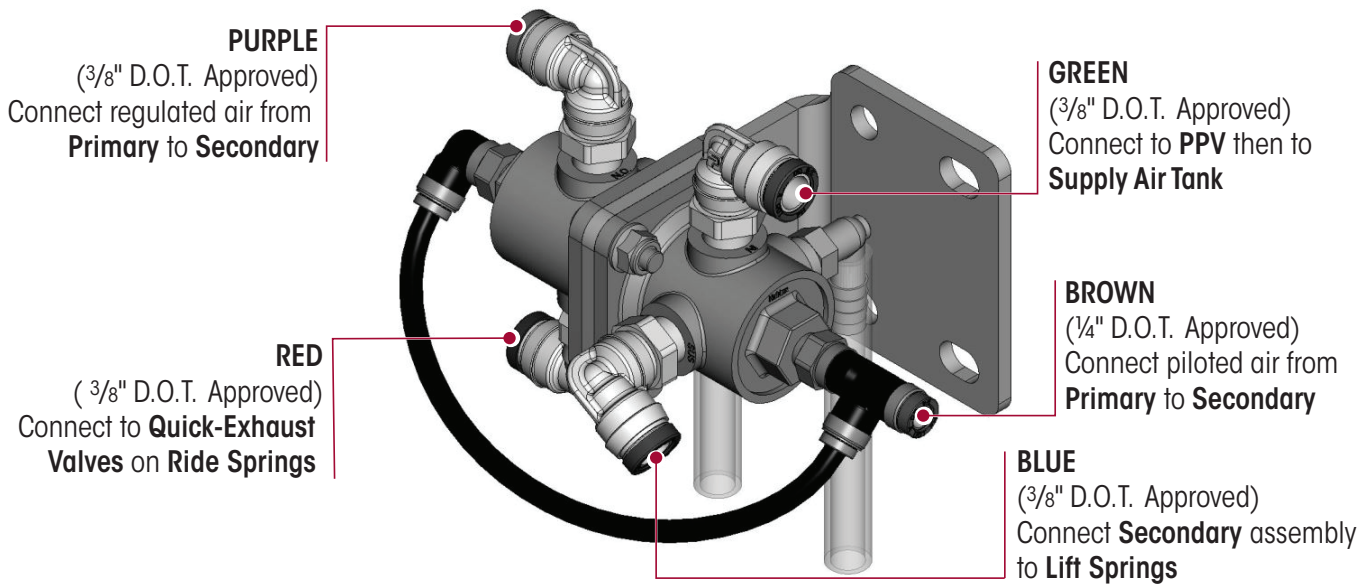
Technical Support & Warranty: [liftaxletech@hendrickson-intl.com](mailto:liftaxletech@hendrickson-intl.com)



## Secondary Valve Assembly — PREVIOUS

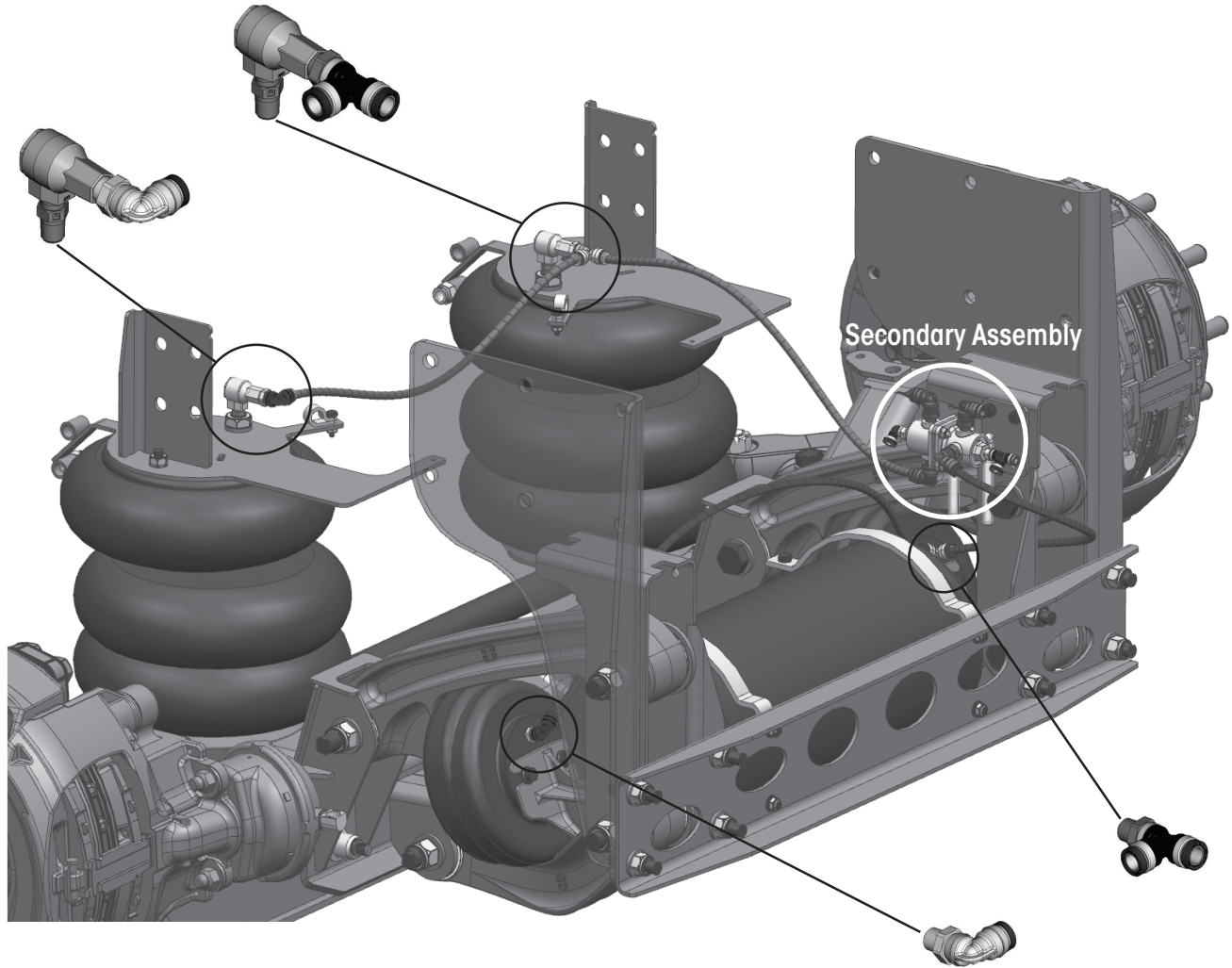


## Secondary Valve Assembly — NEW





### Assembly & Installation



### LC Air Kit Options

CURRENT PART #	NEW PART #	DESCRIPTION	INSIDE MOUNT	OUTSIDE MOUNT (COMPOSITE BOX)	OUTSIDE MOUNT (STAINLESS BOX)
LC-NSI	LC-NSI_R2	Non-Steerable	X		
LC-SSI	LC-SSI_R2	Steerable	X		
LC-LSI	LC-LSI_R2	Steerable: REVERSE LIFT & LOCK	X		
LC-RSI	LC-RSI_R2	Steerable: REVERSE DOWN & LOCK	X		
LC-ASI	LC-ASI_R2	Reverse Caster	X		
LC-UCO	LC-UCO_R2	Non-Steerable & Steerable		X	
LC-LCO	LC-LCO_R2	Non-Steerable & Steerable: REVERSE LIFT & LOCK		X	
LC-RCO	LC-RCO_R2	Non-Steerable & Steerable: REVERSE DOWN & LOCK		X	
LC-ACO	LC-ACO_R2	Reverse Caster		X	
LC-USO	LC-USO_R2	Non-Steerable & Steerable			X
LC-LSO	LC-LSO_R2	Non-Steerable & Steerable: REVERSE LIFT & LOCK			X
LC-RSO	LC-RSO_R2	Non-Steerable & Steerable: REVERSE DOWN & LOCK			X
LC-ASO	LC-ASO_R2	Reverse Caster			X
LC-MCA	LC_MCA_R2	Non-Steerable & Steerable: MARYLAND SPEC		X	
LC-MSO	LC-MSO_R2	Non-Steerable & Steerable: MARYLAND SPEC			X



