

TD-6362 Series Valves

4-Way Single Solenoid, 12 Vdc, 3/8" NPT Ports w/Manual Lock Override

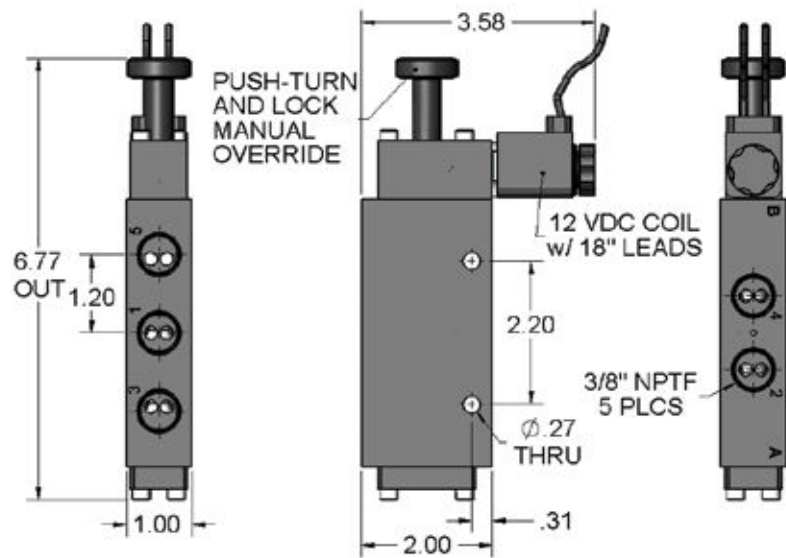
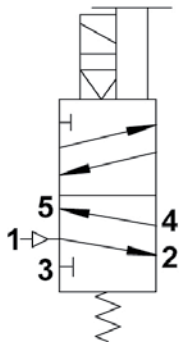
TD-6362 Series valves are 4-way, 3/8" NPT port, 12 Vdc valves with push-turn-and-lock manual override. Air is normally supplied to port #1 and flows normally to port #2. Port #4 flows freely to exhaust port #5. When energized, air flows freely from port #1 to port #4, and port #2 flows freely to exhaust port #3.

SPECIFICATIONS

Material	Black anodized aluminum
Function	4-way, single solenoid, spring return
Mounting	Inline, or Thru hole mount
Medium	Air
Voltage	12 Vdc w/ 18" leads, NEMA 4
Pressure	40 psi min., 150 psi max. supply
Flow	Cv = 2.0 (96 scfm)
Fasteners	Stainless steel

Temperature Options*	-40°F to +180°F
	DP = Dual pressure supply
	E = External pilot
	RS = Solenoid rotated 90°
	S = Mesh screens in ports
	V = Vented through exhaust

*Add suffix to end of part number. See page 74 for option description.



SOLENOID